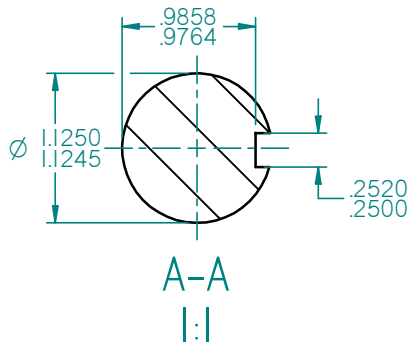


CABLE ENTRIES 1X0.75" NPT



STANDARD TERMINAL BOX POSITION IS 9 O'CLOCK AS SHOWN.
 CONDUIT ENTRIES:- TERMINAL BOX CAN BE ROTATED AT 90° INTERVALS
 (CONDUIT ENTRY POSITION SHOWN FOR ILLUSTRATION ONLY)

ALL DIMENSIONS IN INCHES

FIRST ANGLE PROJECTION

BROOK CROMPTON

SHEET SIZE: **A3**

TITLE: **OUTLINE DIMENSION DRAWING W ALUMINIUM TOTALLY ENCLOSED FAN COOLED WP-DA182T-M4 4P FRAME FOOT & C FLANGE MOUNTED MOTOR**

	NAME	DATE	DRG. No.
DRAWN	DL	26-11-12	DRG. REF.
CHECKED			REVISION:
SCALE	1:2		DATE: